

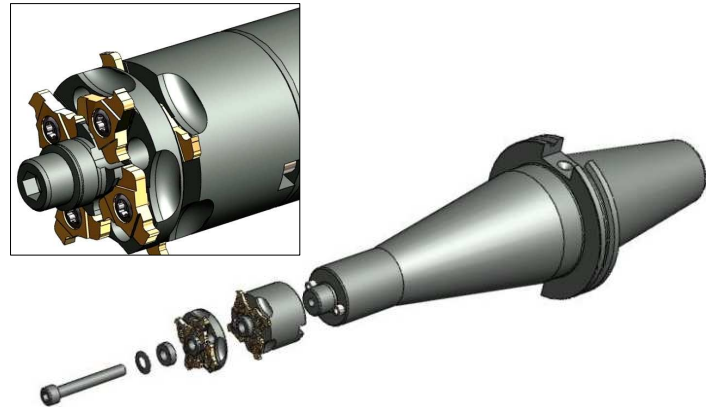
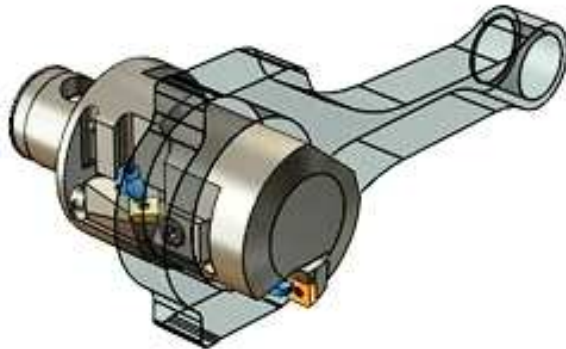


Signature Tool inc.

2120 Solar Crescent
Oldcastle, Ontario N0R 1L0

**Tooling ~ MILL ~ Drill ~ TURN ~ Bore ~ CHAMFER ~ Broaching..
Assemblies ~ Cartridges ~ ADAPTERS ~ Hardware ~ INSERTS..**

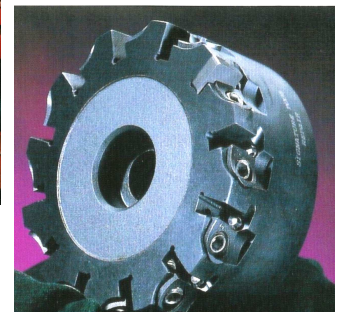
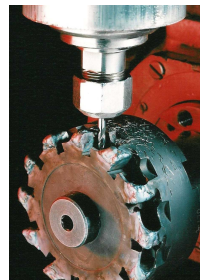
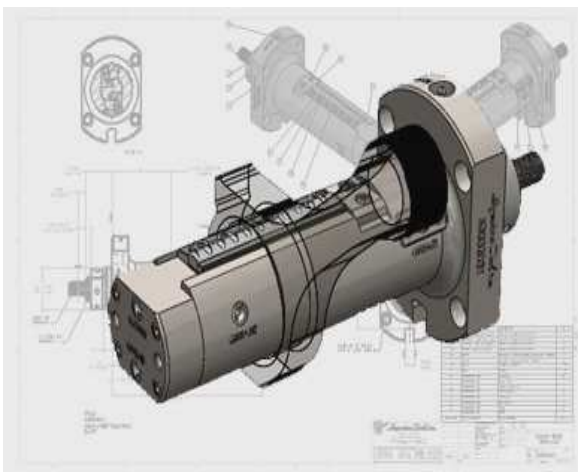
Machining Solutions
by Signature Tool



Tooling for..

**Connecting Rod, Head Valve, Cylinder Bore, Engine Block, Water Pump,
Bank Face, Crankshaft, Front Cover, Transmission Case, Clutch Housing, Bearing Cap,
Exhaust Manifold, Differential Carrier, etc.. etc..**

DESIGN / BUILD / REPAIR
Custom and Standard Indexable Tooling



**Don't Discard your Damaged Cutters ~
Let Our Repair Specialists **RECYCLE** your Tools**



Quality Tooling is Our Signature

519.737.1105 phone / 519.737.7172 fax

www.signaturetool.com